



AN INDEPENDENT DISTRIBUTOR FOR OVER *100* YEARS

Founded in 1919 as Bearings Specialty Company, BSC Industries has grown over the decades to meet the needs of the industrial marketplace with world-class products and engineered solutions.

History

1919

Founded as Bearings Specialty Company, located at 665 Beacon Street, Boston, supplying bearings to machine shops, manufacturers and other industrial firms.

1964

Ownership transfers to James J. Fitzpatrick and Peter Boyle. Product offering expands to include power transmission products. Opened Vermont and Maine locations.

1970s

Product offering expands to include motors and drives. Opened locations in New Hampshire and Worcester, MA.

1980s

Added Linear Motion and Motion Control products. Opened Western MA location.

1990s

Ownership transfers to Jim and Peter Fitzpatrick, sons of James J. Fitzpatrick. Product lines expand to include electrical, automation and pneumatic devices. Company moves to its new headquarters in Canton, MA.

2000s

Company acquires Machine Parts with branch locations in Connecticut and Rhode Island, and an Integrated Controls manufacturing facility in RI. Establishes a Class 10,000 Clean Room/Relubrication Center in Canton, MA.

2016

Bearings Specialty Company changes its name to BSC Industries, organized around four business platforms:

- Bearings & Power Transmission Products
- Electrical & Automation Products
- Engineering & Value Added Services
- Integrated Control Systems

2019

Company celebrates 100th anniversary.



Kenmore Square
Site of original Bearings Specialty location



Corporate Headquarters - Canton, MA

Why Choose BSC Industries?

Customers partner with us when:

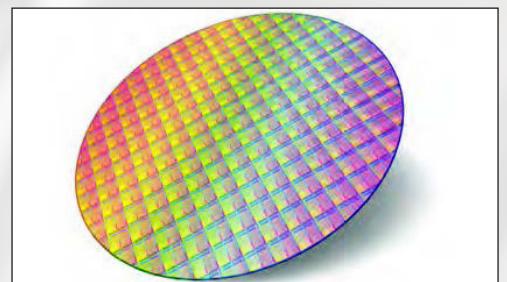
- Searching for a supplier with an extensive range of mechanical and electrical automation products
- Striving to achieve a competitive edge in the marketplace by sourcing the most cost-effective products with reasonable lead-times
- Attempting to streamline their supply chain
- Looking to introduce new products to the market with a shortened development cycle time
- Challenged with the requirement to improve the efficiency of production equipment to increase throughput
- Technical support is needed to source the best solutions for their applications
- They want to establish a long-term relationship with a supplier that has knowledgeable, reliable, and honest people that care about their business and are easy to work with

OEM and MRO Markets We Serve

Food & Beverage Processing
Packaging
Semiconductor Equipment
Medical Equipment
Energy
Printing
Consumer Products
Contract Manufacturing
Automotive

Biotechnology
Laboratory Automation
Robotics
System Integration
Process Control
Material Handling
Telecommunication
Machine Tool
Antenna Positioning

Metal Forming & Stamping
Municipalities
Transportation
Paper & Plastic Converting
Test Equipment
Wire & Cable
HVAC & Climate Control
Optical Devices
Recycling



Our Business Platforms

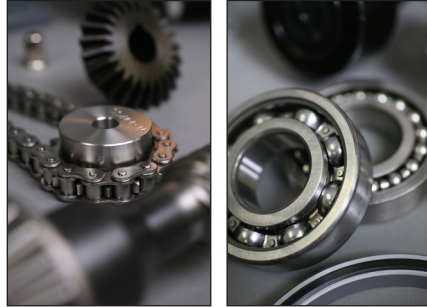
Since 1919, BSC Industries has remained committed to delivering world class products, engineered solutions, and outstanding customer service. Organized around four business platforms, the company is continuing on its path of serving customers not only in New England, but nationally and internationally.

BSC INDUSTRIES

BEARINGS AND POWER TRANSMISSION PRODUCTS

Bearings and Power Transmission Products

Our core product offering includes the complete range of bearing and power transmission products from the world's best manufacturers.



- BEARINGS-ROTARY & LINEAR
- BELTS AND PULLEYS
- BRONZE
- CHAIN & SPROCKETS
- CLUTCHES, BRAKES
- COUPLINGS & SHAFT COLLARS GEARS
- GEAR REDUCERS & GEAR MOTORS
- MOTORS-AC/DC
- SEALS & O-RINGS

BSC INDUSTRIES

ELECTRICAL AND AUTOMATION PRODUCTS

Electrical and Automation Products

Products ranging from AC drives, motors, enclosures, and connectors to DC motors, actuators, motor controls, power supplies, stepper motors, and more.



- AC/DC DRIVES & MOTORS
- CIRCUIT PROTECTION
- CONNECTORS
- ENCLOSURES
- MACHINE SAFETY
- PLC/HMI & PROCESS CONTROL
- PNEUMATICS
- PRECISION MOTION CONTROL
- WIRE/CABLE

BSC INDUSTRIES

ENGINEERING AND VALUE ADDED SERVICES

Engineering and Value Added Services

Extensive technical, engineering, and application support for our product lines along with other unique value added services.



- APPLICATION ANALYSIS
- TECHNICAL SUPPORT
- BEARING LUBRICATION SERVICES
- CLASS 10,000 CLEANROOM
- ELECTRO-MECHANICAL SUB-ASSEMBLY
- VENDOR MANAGED INVENTORY (VMI)

BSC INDUSTRIES

INTEGRATED CONTROL SYSTEMS

Integrated Control Systems

Complete design and integration of coordinated factory automation and process control systems.



- DESIGN/BUILD/TEST
- EXISTING MACHINE UPGRADES
- FIELD SERVICE
- MOTION/ TENSION CONTROLS
- PLC/HMI PROGRAMMING
- START-UP/ COMMISSIONING
- UL508A LISTED
- NFPA CERTIFIED

BEARINGS AND POWER TRANSMISSION PRODUCTS



BEARINGS AND POWER TRANSMISSION PRODUCTS

Since 1919, BSC Industries has been an independently owned industrial distributor with 7 conveniently located New England branch locations. Our knowledgeable sales staff is ready to assist you with your bearing, power transmission, electrical, automation, and control system requirements.



Boston Gear / TB Wood's / Warner Electric



Rod End and Spherical Bearings



AC and DC Motors and Inverter Drives



AC and DC Motors and Gearmotors



Link Belting and Keyless Locking Devices



Industrial Belts, Sprockets, Sheaves



Bearings and Bearing Components



Innovation, Know-how & Originality

Linear Motion and Bearing Products



LEADERS IN BRONZE BEARINGS...and MORE

Bronze Bushings and TU Steel Backed Bearings



an SKF Group company

Thin Section and Slewing Ring Bearings



Ball and Roller Bearings



AC and DC Motors



Industrial Lubricants



Sprockets, Gears, Sheaves, Couplings, Screw Conveyors



Linear Guides, Ball Bushings, Actuators



Speed Reducers and Gear Motors



Bearings and Linear Motion Products



Ball and Roller Bearings



Stepper Motors and Drives, AC/DC Gearmotors and Drives



Ball and Roller Bearings



Climax, Nice, Heim, PIC, Lubron, Spherco



Browning / Kopflex / McGill / Morse / SealMaster / Systemplast



Bearings, Gearboxes, Conveyor Components, Couplings



INA / FAG / BARDEN



Speed Reducers and Gearmotors



Bearings, Seals, Mechatronics, Lubrication



Pneumatic Actuators and Controls, Accessories



Gearboxes and Gearmotors



The Mark of Linear Motion

Linear Guides, Ball Screws, Actuators



Linear Motion. Optimized.

Linear Bearings and Shafting, Ball Screws, Actuators, Gearheads



Bearings, Power Transmission, Lubrication, Seals



Roller Chain, Engineered Class Chain



Wire Harnesses, Molded Cable Assemblies

BEARINGS AND POWER TRANSMISSION PRODUCTS

PRODUCT GROUPS

BEARINGS	Rollway	USTsubaki	Ruland Mfg	LINEAR MOTION	MOTORS
Alinbal	Schatz	CLUTCHES & BRAKES	Stafford	Bishop Wisecarver	ABB
AMI	SealMaster	Carlson	Stock Drive	Bosch Rexroth	AO Smith
Aurora	SKF	Cleveland	TB Wood's	CPC	Bodine
Auburn	Smith	Formsprag	US Tsubaki	Danaher	Danaher
Barden	Spherco	Lenze	Zeromax	Deltron	Groschopp
Berliss	Timken	Magpower	ELECTRIC ACTUATORS	Duff Norton	Koco Motion
Browning	Torrington	Morse	Exlar	Garlock	Leeson
Carter	Triangle	Nexen/Horton	Koco Motion	Igus	Lenze
EPT	BELTS & PULLEYS	Stearns	SMC	IKO	Marathon
EZO / SPB	Ammeraal	Warner Electric	Thomson	INA	Nidec/Control Techniques
Fafnir	B&B Mfg	CONVEYOR BELTS & COMPONENTS	Warner	Joyce/Dayton	Oriental Motor
FAG	Berg	Ammeraal	GEARS	Kabelschlepp	Overly Hautz
FK	Brecoflex	Beltservice	Berg	Lee Linear	SEW Eurodrive
FYH	Browning	Brecoflex	Boston Gear	Macron	Superior
Garlock	Fenner	Browning	Globe	LM 76	US Motor
General	Gates	Chantland	Linn	NB Corp	WEG
GGB	Jason	Habasit	Martin	Nook	World Wide
GMN	Martin	Intralox	Mitrpak	NSK	MOTOR DRIVES & CONTROLS
Heim	Maska	Keystone	PIC	Pacific Bearing	ABB
Hub City	Mectrol	KVP	Stock Drive	Rockford	AC Tech/Lenze
Igus	Morse	Martin	GEAR REDUCERS & GEAR MOTORS	Rollon	Benshaw
IKO	Stock Drive	Mathews	ABB	Roton	Bodine
INA	BRONZE	Mectrol	Bodine	SKF	Boston Gear
IPTCI	Boston Gear	Mulhern	Bonfiglioli	THK	Contrex
Jilson	Bunting	PCI	Boston Gear	Thomson	Copley Controls
Kaydon	Graphalloy	Pobco	Browning	Warner	Danaher
Kilian	Isostatic	Slideways	Browning	WON ST	LUBRICANTS
Koyo	Oilite	Valu Guide	Cleveland	Lubriko	Danfoss/Vacon
Link Belt	Royersford	Van Gorp	Cone Drive	Lubriplate	Dart
MB Mfg	CHAIN, SPROCKETS, TENSIONERS & IDLERS	Rexnord	David Brown	Perma	KB Electronics
McGill	Allied-Locke	System Plast	EPT	Simatec	Kollmorgen
Moline	Ametric	COUPLINGS & SHAFT COLLARS	Grove	SKF	Nidec/Control Techniques
Morse	Boston Gear	Berg	Hub City	Superlube	Oriental Motor
MPB	Brewer	Boston Gear	Leeson	Timken	Parker SSD
MRC	Bowning	Browning	Lenze	Conveyors Inc.	Sprecher + Schuh
Nachi	Dalton	Climax Metal	Morse	Martin	Sumitomo
New Departure	Fenner	Collars & Couplings	Motovario	Omni Metal Craft	WEG
New Hampshire	Gates	Dalton	Nord	Screw Conveyor	PNEUMATICS
Nice	HKK	Helical	Oriental Motor	Smalis	Bimba
NSK	Lovejoy	Huco	Rexnord	MINIATURE PRECISION PARTS	Boston Gear
NTN	Martin	Lovejoy	SEW Eurodrive	Berg	Festo
NTN	Morse	Martin	Stober	Nordex	SMC
Osborn	Peer	Morse	Sumitomo	PIC	PRECISION GEARHEADS
Peer	Renold Jeffrey	Rexnord	Winsmith	Stock Drive	Apex Dynamics
QM	Rexnord	R&W	Zeromax		Carson Mfg
RBC Bearings	SKF				CGI
Regal					GAM
Rexnord					
RHP					

BEARINGS AND POWER TRANSMISSION PRODUCTS

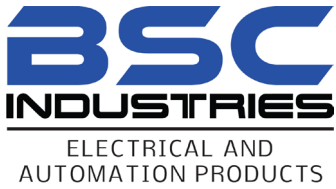
PRODUCT GROUPS (continued)

PRECISION GEARHEADS (cont)	Century Spring	Whittet Higgins	SEALS & O-RINGS	National O-Ring	Encoder Products
Micron/Thomson	Lee Spring	SEALANTS & ADHESIVES	CR/SKF	US Seal	Keyence
RETAINERS & SPRINGS	Rotorclip	Never-Seez	Dichtomatik	Timken	Red Lion
Associated Spring	Spirolox	Sprayon	Garlock	SENSORS & DEVICES	US Digital
	Standard Locknut		Hutchinson	Banner	WIRE & HARNESS
	Waldes Truarc		National Oil Seal	Dynapar	V-Tron

SUPPLIERS

A	Chantland	Graphalloy	Link Belt	Oriental Motor	Smalis
ABB	Cleveland	Groschopp	Linn	Osborn	Smith
AC Tech	Climax Metal	Grove	LM 76	Overly Hautz	Spherco
Alemite	Collars & Couplings	H	Loctite	P	Spirolox
Alinabal	Cone Drive	Habasit	Lovejoy	Pacific Bearing	Sprayon
Allied-Locke	Contrex	Harwal	Lubriko	Parker SSD	Sprecher + Schuh
Altra	Conveyors Inc	Heim	Lubriplate	PCI	Stafford
Ametric	Copley Controls	Helical	M	Peer	Standard Locknut
AMI	CPC	HKK	Macron	Perma	Stock Drive
Ammeraal Beltech	CR/SKF	Hub City	Magpower	PIC	Sumitomo
Anaheim Automation	D	Huco	Marathon	Pobco	Superior
AO Smith	Dalton	Hutchinson	Martin	Q	Superlube
Apex Dynamics	Danaher	I	Maska	QIE	System Plast
Associated Spring	Danfoss	Igus	Mathews	QM Bearings	T
Auburn	Dart	IKO	McGill	R	THK
Aurora	David Brown	INA	Mectrol	R&W	Thomson
B	Deltron	Intralox	Micron/Thomson	RBC	Timken
B & B Mfg	Dichtomatik	IPTCI	Mitropak	Ramco Innovations	Torrington
Banner	Duff Norton	Isostatic	Moline	Red Lion	Triangle
Barden	Dynapar	J	Morse	Regal Beloit	Turck
Beltservice	E	Jason	Motovario	Renold Jeffrey	U
Benshaw	Encoder Products	Jilson	MPB	Rexnord	US Digital
Berg	EPT	Joyce/Dayton	MRC	RHP	US Motor
Berliss	Exlar	K	Mulhern	Rockford	US Seal
Bishop Wisecarver	EZO	Kabelschlepp	N	Rollon	USTsubaki
Bodine	F	Kaydon	Nachi	Rollway	V
Bonfiglioli	Fafnir	KB Electronics	National Oil Seal	Roton	Vacon
Bosch/Rexroth	FAG	KEP	National O-Ring	Rotorclip	Valu Guide
Boston Gear	Fenner	Kerk	NB Corp	Royersford	Van Gorp
Brecoflex	Festo	Keyence	Never-Seez	Ruland	V-Tron
Brewer	FK	Keystone	New Hampshire	S	W
Browning	Formsprag	Kilian	Nidec/Control Techniques	Schaefer	Waldes Truarc
Bunting	FYH	Kluber	Nook	Schatz	Warner Electric
C	G	Koco Motion	Nord	Screw Conveyor	WEG
C3 Controls	GAM	Koyo	Nordex	SealMaster	Whittet Higgins
Carlson	Garlock	KVP	NSK	SEW Eurodrive	Winsmith
Carson Mfg	Gates	L	NTN	Simatec	WON ST
Carter	General	Lee Linear	Nye	SKF	World Wide
Castrol	GGB	Lee Spring	O	Slideways	Z
Century Spring	Gits	Leeson	Oilite	Smalley	Zeromax
CGI	GMN	Lenze	Omni Metal Craft	SMC	

ELECTRICAL AND AUTOMATION PRODUCTS



Since 1919, BSC Industries has been an independently owned industrial distributor with 7 conveniently located New England branch locations. Our knowledgeable sales staff is ready to assist you with your bearing, power transmission, electrical, automation, and control system requirements.



Flexible Non-Metallic Conduit and Fittings



Precision Planetary Gearboxes



AC and DC Motors and Inverter Drives



AC and DC Motors and Gearmotors



Precision Planetary Gearboxes



Stepper and Servo Drives and Controllers



VLT/Vacon AC Drives and Gearmotors



PLC, HMI, Power Supplies, AC Drives, Temp Controls



Circuit Breakers, Push Buttons, Drives, PLCs



EMI/RFI Filters, Line Reactors, Power Factor Correction



Rotary and Linear Actuators, High Force



Industrial NEMA and IP Rated Enclosures



Safety and Security Fencing Systems



Precision Planetary Gear Reducers



Pushing Performance

Industrial High Density Connectors, Ethernet Connectors and Switches



Industrial NEMA and IP Rated Enclosures



Air Conditioners, Heat Exchangers, Filter Fans



Safety Products, Interlocks, Cable Pull Switches, Non-Contact



AC and DC Drives



Stepper Motors, Linear Actuators, Stepper Drives



Machine Safety, Sensors



Circuit Protection Products



Wire and Cable, Servo and Drive Cable



Stepper Motors and Drives, AC/DC Gearmotors and Drives



AC Drives and Controls



Signaling Devices, Light Towers, Horns, Buzzers



Safety Light Curtains, Safety Mats, Safety Controls



Data Displays, Data Logging, HMI, Networking Products



Pneumatic Actuators and Controls, Accessories



Wire Harnesses, Molded Cable Assemblies



AC Drives, Motor Controls, Pushbuttons, Relays



Terminal Blocks, Relays, Power Supplies, Wire Duct, Signal Conditioners

ELECTRICAL AND AUTOMATION PRODUCTS

Machine Safety
Motion Control
Sensors
Motor Control
PLC, HMI

Pneumatics
Temp/Process Control
Connector Products
Audible/Visual Indicators
Precision Gear Reducers

Industrial Networking
Electric Motors
Power Quality
Wire/Cable
Enclosures

Wire Management
Circuit Protection
Power Transmission
Wire & Harness

PRODUCT GROUPS

AC DRIVES	DC MOTORS	FLEXIBLE CONDUIT & FITTINGS	PRECISION GEARHEADS	SOFT STARTERS
ABB	ABB	Aeros	Apex Dynamics	ABB
AC Tech/Lenze	Carson Mfg	FUSES	CGI	EATON
Danfoss/Vacon	Bodine	Littelfuse	GAM	WEG
Delta	DC POWER SUPPLIES	FUSEHOLDERS	Micron/Thomson	STEPPER MOTORS & DRIVES
Parker/SSD	Delta	Littelfuse	Shimpo	Copley Controls
WEG	Leuze	Wieland	PUSHBUTTONS	EATON
AC MOTORS	Lutze	FUSIBLE DISCONNECTS	EATON	KocoMotion
ABB	Wieland	Littelfuse	WEG	Oriental Motor
Bodine	ELECTRIC ACTUATORS	GEAR MOTORS	RELAYS	TEMPERATURE & PROCESS CONTROLS
Leeson	Exlar	Bodine	Lutze	Delta
Oriental Motor	KocoMotion	Oriental Motor	WEG	Red Lion
WEG	SMC	HMI-OPERATOR DISPLAYS	Wieland	TERMINAL BLOCKS
AIR CONDITIONERS	Thompson	Delta	SAFETY INTERLOCKS	WEG
EXM	EMI/RFI FILTERS	Red Lion	IDEM	Wieland
IceQube	ENCLOSURES	LINE/LOAD REACTORS	Leuze	THERMAL MANAGEMENT
CIRCUIT BREAKERS	Enerdoor	Enerdoor	IDEM	EXM
EATON	EXM	LIGHT CURTAINS	Leuze	IceQube
WEG	Fibox	IDEM	SERVO DRIVES & MOTORS	WIRE & CABLE
Wieland	Haewa	Leuze	ABB	HARTING
CIRCUIT PROTECTION	ENCODERS	MACHINE GUARDING & FENCING	Copley Controls	Lutze
Enerdoor	Dynapar	Folding Guard	Delta	WIRE DUCT
Littelfuse	Encoder Products	PILOT LIGHTS	SIGNALING LIGHTS/BUZZERS	Wieland
Wieland	WEG	Patlite	Leuze	WIRE & HARNESS
CODE READERS	ETHERNET SWITCHES	WEG	STACK LIGHTS	V-Tron
Leuze	Delta	PNEUMATIC VALVES & ACTUATORS	Patlite	
CONNECTORS	Leuze	Boston Gear	Leuze	
HARTING	Red Lion/N-Tron	SMC	Patlite	
Wieland	Wieland			
CONTACTORS	FILTER FANS & BLOWERS			
WEG	EXM			
DC DRIVES	IceQube			
Bodine	Oriental Motor			
KB				

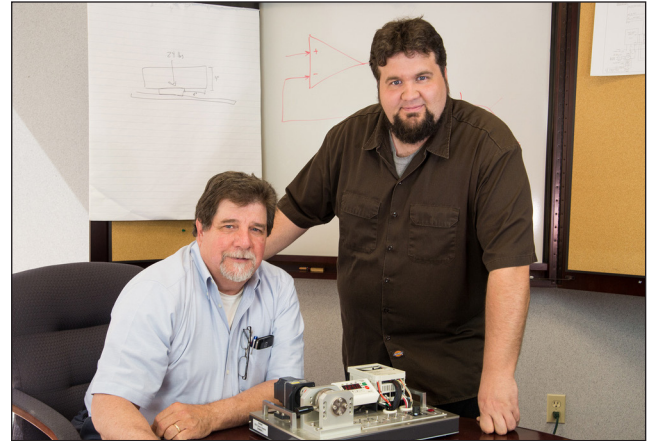
ENGINEERING AND VALUE ADDED SERVICES



Since 1919, BSC Industries has been an independently owned industrial distributor with 7 conveniently located New England branch locations. Our knowledgeable sales staff is ready to assist you with your bearing, power transmission, electrical, automation, and control system requirements.

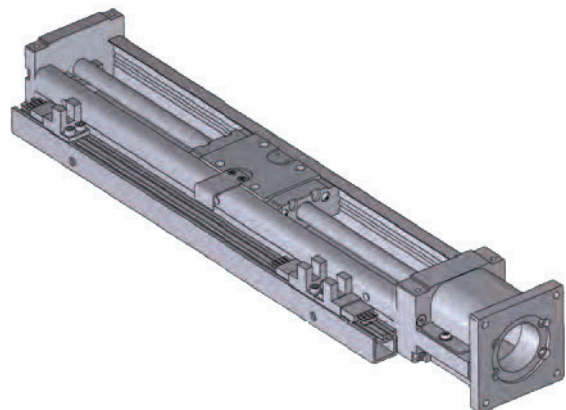
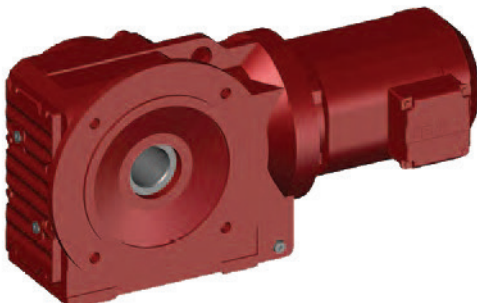
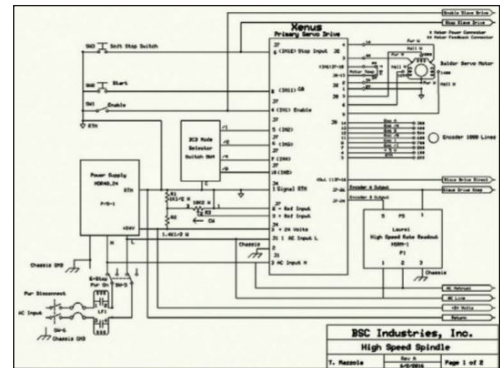
Engineering and Application Development

Our experienced engineers and product specialists provide extensive technical and application support for all of the product lines we represent. We are involved in all aspects of product design and application development. Our strength lies in our ability to quickly assemble our resources to develop cost effective solutions for our customers. Whether it's a simple request to source a hard to find part, or a time consuming complex motion control system...we can help.



In-House Application Expertise:

- Precision Motion Control
- Electrical Motors and Drives
- Process Controls
- Power Transmission/ Linear Motion
- Technical Application Review/Analysis
- System Specification Development
- Motor Sizing
- Cost and Performance Analysis
- Proof of Concept Prototypes
- Application Documentation / AutoCAD
- Programming and Start-Up Assistance
- Post Sale Support and Training



ENGINEERING AND VALUE ADDED SERVICES

Custom Lubrication

State of the art cleanroom facility for custom lubrication of bearings, linear motion products, and gear boxes.

- Certified Class 10,000 Environment
- Class 100 Laminar Flow Workstation
- Automated Cleaning/Degreasing System
- Manual and Automatic Lubrication Dispensers
- Extensive Selection of Lubricants
- Package Sealing Equipment



Canton MA Cleanroom

Electro-Mechanical Sub-Assembly

Manufacturing electro-mechanical assemblies to assist our customers in reducing total manufacturing costs.

- Motor and Gearbox
- Wiring Harnesses
- Pneumatic Assemblies
- Special Actuators
- DIN Rail Assemblies

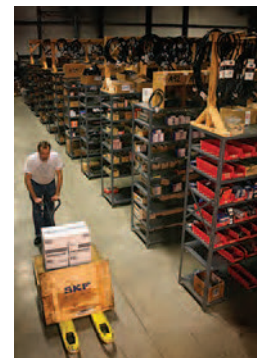


Westbrook ME Assembly Center

Vendor Managed Inventory

Customized programs to manage customer inventory.

- Stockroom Management
- Breadman Replenishment
- Vendor Consolidation
- Dedicated Branch Inventory
- JIT Delivery
- Kanban Release



Managing Customer Inventory

INTEGRATED CONTROL SYSTEMS



Since 1919, BSC Industries has been an independently owned industrial distributor with 7 conveniently located New England branch locations. Our knowledgeable sales staff is ready to assist you with your bearing, power transmission, electrical, automation, and control system requirements.

For over 30 years we have engineered and manufactured a wide variety of integrated control systems at our facility located in Providence, RI. Our staff is comprised of experienced design engineers and assembly technicians, and over the years we have been involved in projects that range from a simple single AC motor controller to complex multi-axis motion and process control systems. With our experience...we can help you with just about any motion and process control application.

Our Capabilities

- Complete design and integration of coordinated motion control and process control systems
- Design, Build, Program, Test, Start-Up, and Field Service
- New designs or existing machine upgrades including electrical and mechanical components
- Extensive system documentation
- UL 508A listed panels available

Common Applications

- Winders and Payoffs
- Coating and Bonding Lines
- Slitters
- Wire Drawing
- Temperature Control
- Flying Shear
- Stamping and Presses
- Tension Control
- Rolling Mills
- Web Handling
- Cut-to-Length Lines
- Conveyors

Typical Control Components

- AC/DC Drives and Controls
- Servo and Stepper Drives & Controls
- Programmable Logic Controllers
- Pneumatics
- Touch Screen HMIs
- Panel Meters



Slitting Line Control



Slitting Line Upgrade

INTEGRATED CONTROL SYSTEMS



3 Drive System with Temperature Control



Explosion Proof



Completed System Test



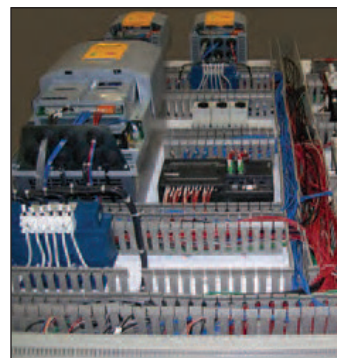
Operator Panel with Touchscreen HMI



Multi Drive System with Data Acquisition



Operator Control Station



Work in Process





CORPORATE HEADQUARTERS

50 Energy Drive
Canton, MA 02021
USA
Phone: 781-989-2222
Fax: 781-989-2299
Email: Canton@bsc-ind.com
www.bsc-ind.com

MASSACHUSETTS

Canton

50 Energy Drive
Canton, MA 02021
Phone: 781-989-2222
Fax: 781-989-2299
Email: Canton@bsc-ind.com

Worcester

61 Milton Street
Worcester, MA 01606
Phone: 508-798-2222
Fax: 508-798-9301
Email: Worcester@bsc-ind.com

MAINE

Westbrook

70 Bradley Drive
Westbrook, ME 04092
Phone: 207-854-3333
Fax: 207-854-3338
Email: Westbrook@bsc-ind.com

RHODE ISLAND

Providence

150 Corliss Street
Providence, RI 02904
Phone: 401-274-4333
Fax: 401-751-0926
Email: Providence@bsc-ind.com

NEW HAMPSHIRE

Nashua

2 Townsend West, Unit #5
Nashua, NH 03063
Phone: 603-889-2222
Fax: 603-889-0320
Email: Nashua@bsc-ind.com

CONNECTICUT

Windsor Locks

1000 Old County Circle, Unit #116
Windsor Locks, CT 06096
Phone: 860-903-1111
Fax: 860-903-1117
Email: WindsorLocks@bsc-ind.com

VERMONT

Williston

47 Commerce Street
Williston, VT 05495
Phone: 802-864-6735
Fax: 802-865-4781
Email: Williston@bsc-ind.com

INTEGRATED CONTROL SYSTEMS

150 Corliss Street
Providence, RI 02904
Phone: 401-274-4333
Fax: 401-533-5434
Email: Controls@bsc-ind.com

